

How to make a Wendy house

Part One: The Floor and the Frame



The Wendy House.

This wendy house is basically a playhouse with a few feminine touches added. A wendy house can give children hours of enjoyment. And with a little imagination, customized touches can be added to create a unique and special environment.

This house stands 2 metres high, is 2.3 metres long and 1.2 metres wide with a 700mm wide deck along the front.

Explanation of timber sizes.

The timber sizes referred to in this project are the finished or 'actual' sizes.

For example:

If you went along to the timber yard and asked for a piece of 75x50 mm framing, the actual timber size would not be 75x50, but rather 65x46. Confused? Well 75x50 was the approximate size of the timber before it was planed, dressed or gauged and is still referred to in timber yards as 75x50, even though the finished size is 65x46, give or take a mil. Hence the term used in this page 'ex 75x50'. For more timber terminology explanations [click here](#)

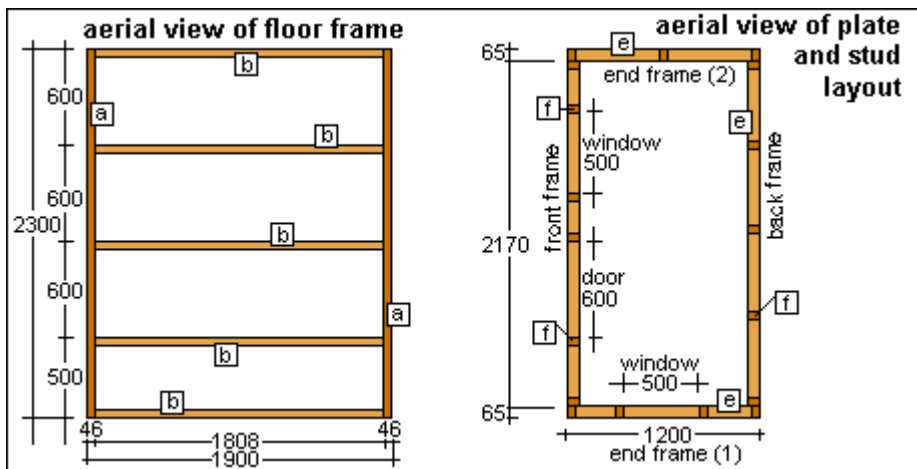
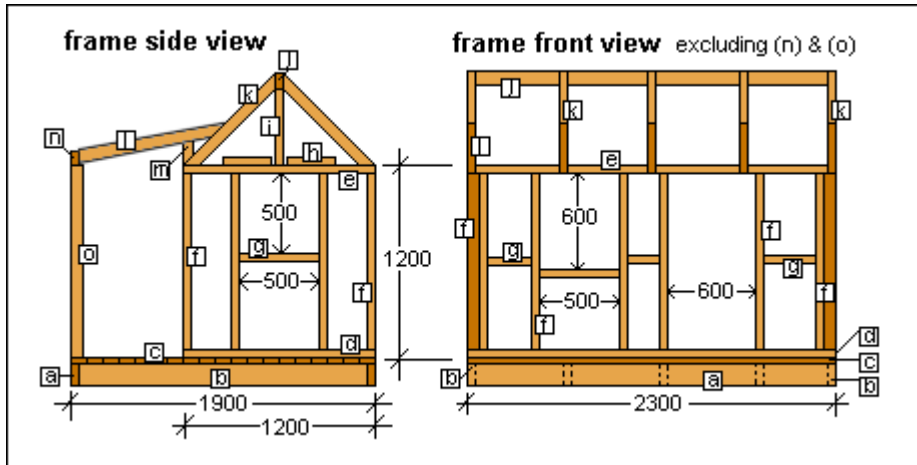
About the timber.

All timbers used for the construction of the wendy house are readily available at most timber merchants or building suppliers.

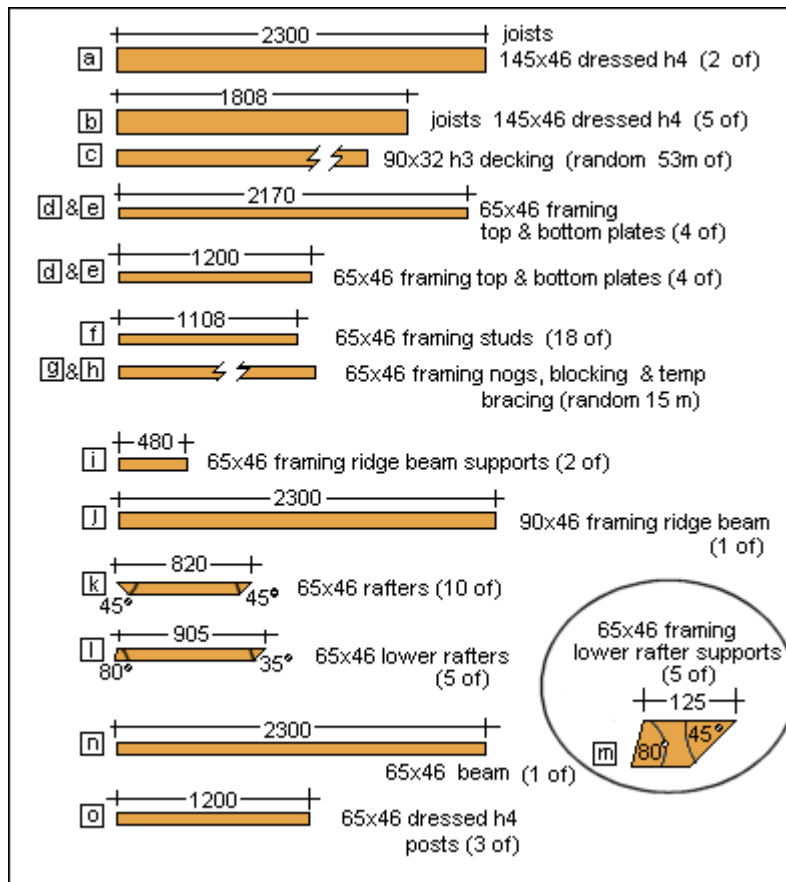
The floor base is constructed of 145x46 (ex 150x50) tanalised mm (gauged, smooth finish) with standard 90x32 pine decking.

All the framing timbers are 65x46 (ex 75x50) mm H1 f2. That means the timber is gauged, treated for inside use only, and No2 framing, with the exception of the ridge beam (90x46 mm H1 f2) and the posts (65x46 mm H3), the latter is tanalised, a treatment for outside use.

The Plans. (The following images might take a tick to load)



The Floor and Frame Cutting List.



The Instructions.

Step one: The pieces

Cut all the timber as shown in the cutting list above.

Step two: The base and floor

On a level, flat piece of ground make a rectangle by nailing the two longer joists (a) to two of the shorter joists (b). Nail another three intermediate joists (b) in place evenly spaced (see above floor frame plan). Use 90 or 100mm galvanized nails.

Check that the floor base is square by measuring diagonally from corner to corner. When the diagonals are equal, then the base is square.

Cut the decking to length (20 lengths @ 2300mm) and Lay and fix to the base beginning from one side. Use 75mm galvanized jolthead nails.

Step three: the wall frames

Lay out the bottom plates (d) flat on the floor to form a rectangle 2300x1200. Lay the top plates (e) on top of the bottom plates and mark the stud positions on the edge of both plates (see above plate and stud layout diagram).

Separate the plates (d & e) and lay the studs (f) in place. Cut and fix nogs (g) between studs (f) as shown in 'the plans' diagram above.

Nail the wall frame together.

There will be four wall frames in all, the two end frames and the front and back frame.

Stand the frames up in place and nail together, ensure the bottom plates are straight and fix to the floor.

Check all corners are vertical (plumb) and fix temporary diagonal braces to the insides of the wall frames.

Step four: the roof frame

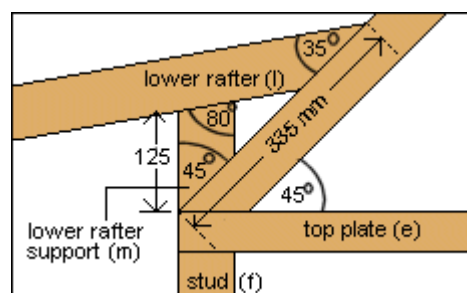
Centralize the two ridge supports (i) on top of the two end frames and fix in an upright position.

Balance the ridge beam (j) on top of the ridge supports (i) and fix in place with nails skewed (angled) through the ends of the ridge beam into the supports.

Fix the 10 rafters (k) in place (5 each side) beginning with the end rafters and then the intermediates.

Fix the lower rafter supports (m) in place at the lower end of the top rafters (k). (see diagram below).

Fix the lower rafters (l) in place on top of the lower rafter supports (m) and so that the top of the lower rafters (l) are at a point running 335mm up from the bottoms of the top rafters (k). (see diagram below)



Nail the beam (n) to the end of the lower rafters.

Fix three posts (o) plumb under the beam (n). One post in the middle and one at each end.

How to make a Wendy house

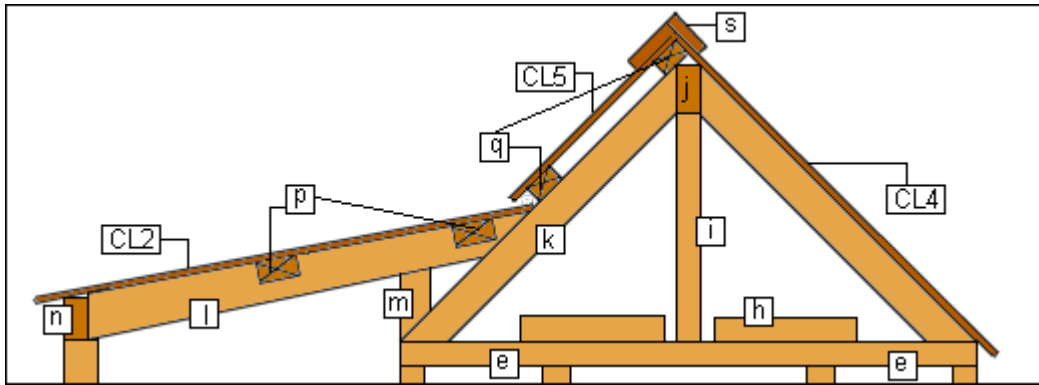
Part Two: The Cladding and fascia



The Instructions continued...

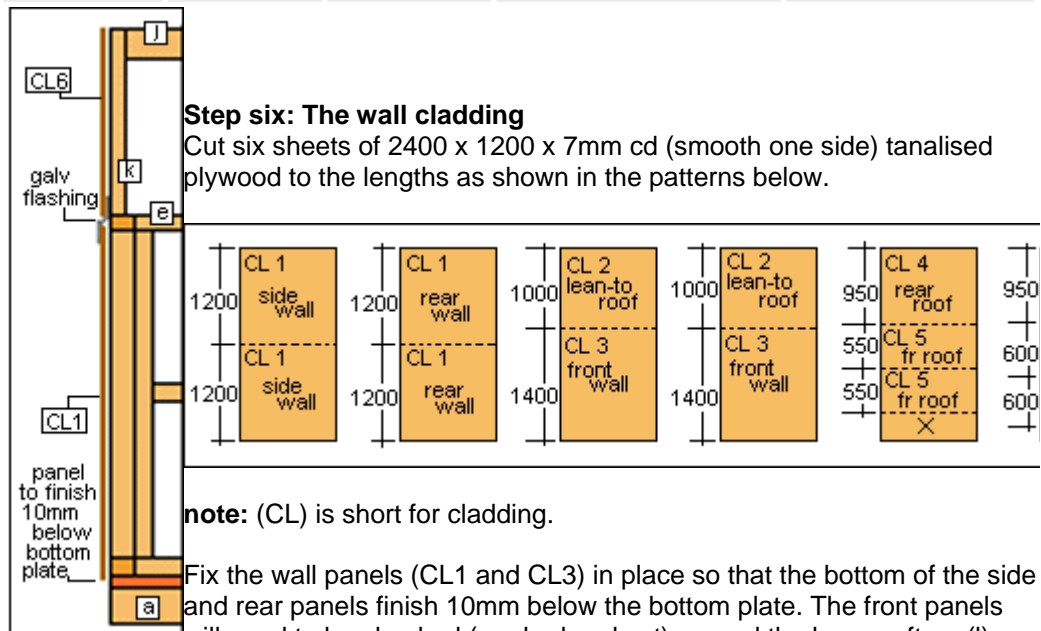
Step five: The roof noggging and purlins

From 65x46 timber, Measure, cut and fix two rows of nogs (p) between the lower rafters (l), one row along the top and one row along the middle as shown in diagram below. Also using 65x46 timber, fix two rows of purlins (q) on top of the front upper rafters (k). Position as shown in diagram below, with one row at the apex and one row just above the lower rafters (l).



LEGEND: (see cutting list in [previous page](#) for timber sizes)

a: joists	f: studs	k: rafters	p: noggs	CL2: lean-to roof cladding
b: joists	g: noggs	l: lower rafters	q: purlins	CL3: front wall cladding
c: decking	h: blocking	m: rafter support	s: ridge capping	CL4: rear roof cladding
d: bottom plates	i: beam support	n: lean-to beam	CL1: rear & side wall cladding	CL5: front roof cladding
e: top plates	j: ridge beam	o: posts		CL6: gable wall cladding



Mark and cut out any windows (you might want to do a fancy shape here), doors or overhanging edges. Nail with 40 or 50mm flathead galvanized nails. Keep the door cutout intact, as this will later become the door.

Next hold the gable side panel (CL6) in place on top of the sidewall panel (CL1), mark to the triangular shape of the gable, cut and fix in place. Insert a length of galvanized horizontal weather strip flashing so it tucks under the bottom of the gable side panel (CL6), and over the top of the sidewall panel (CL1). See diagram.

Step seven: The roof cladding

The roof plywood panels (CL2, CL5 and CL4) can be fixed in the same way as the wall panels. The roof panels will overhang the perimeter (front, back and sides) by approx. 50mm.

Step eight: The ridge capping, fascia and bargeboard

The ridge capping, fascia and bargeboard are (in this case) all the same type of timber,

namely 100x25 sawn (rough sawn) tanalised pine.

The ridge capping is the boards on the ridge of the roof and it's purpose is for waterproofing. The Fascia and bargeboard are the boards encompassing the house at the top of the walls tucked under the roof overhang. The boards along the front and back of the house are called the fascia boards and the boards running up the gable on the sides of the house are called the bargeboards. Fix all with 75mm galvanized jolthead nails.

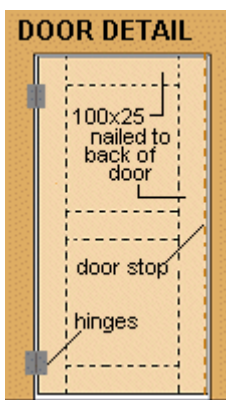
A pattern can be cut into the fascia and bargeboards. Soley personal preference.



A pattern like this can be made on the fascia and bargeboards by using the bottom of a paint tin (or similar) as a template to mark the rounds and then by cutting out with a jigsaw.

How to make a Wendy house

Part Three: The door, windows and handrail



The Instructions continued...

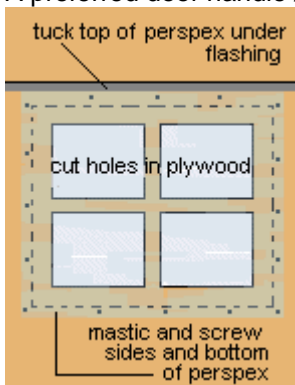
Step nine: The door

The cutout piece of plywood saved from the door hole can now be made into the door. Trim the bottom edge (about 20mm) to ensure the door will easily open and sand the edges. There should be about 5mm clearance both sides of the door. Reinforce the door with 100x25 strips of wood nailed to the back.

Pack the door in place and screw on the hinges. See diagram.

Nail a piece of doorstop (25x25) down the doorjamb stud 32mm in from the outside (the thickness of the door). This acts as both a doorstop and wind and weather seal.

A preferred door handle / lock / or latch can be fitted.



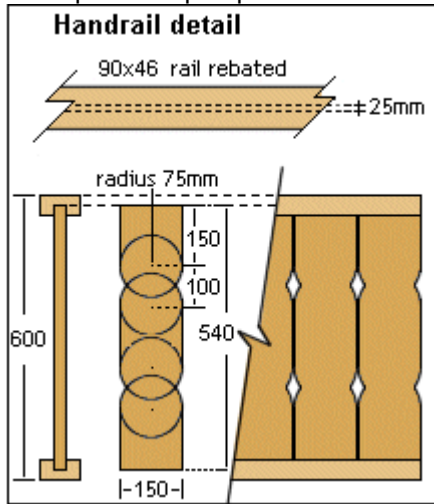
Step ten: The windows

Draw a window pattern such as an oblong or heart or 4 squares (keeping within the perimeters of the window frame) and cut out with a jigsaw. First drill a hole through the plywood using a drill bit large enough to make a hole that will accept the jigsaw blade.

Once the windows are cut out, cover with an oblong piece of 3mm perspex. Ensure the perspex is larger than the window holes to allow for waterproof mastic sealant and

screwing.

The tops of the perspex on the sidewalls should tuck under the existing flashing.



Step eleven: The handrail

Cut the 90x46 mg h3 top and bottom rails to length (to fit between the posts) and rebate them.

On one side only, pencil two lines 25mm apart along the length in the centre of the rails. (see handrail detail diagram). Set the blade on your circular saw to a depth of 20mm and do repeated cuts along and between the two pencil lines.

Clean out with a chisel.

This will give you a rebated groove 25mm wide x 20mm deep along the centre of the

rails.

Cut 150x25 timber (standard fence palings) into 540mm lengths and implement a pattern of your choice. The pattern shown in the handrail detail diagram is just one idea. Make the pattern on one piece of paling and use that as a template to do the rest.

Fit the palings into the rebated grooves in the top and bottom rails.

This is best done by laying the top and bottom rails on the ground and then inserting the palings into the grooves.

If the number of palings does not work out exactly, one of the palings will need to be marked and ripped (cut) down. When one section is finished, tie a rope around each end so the palings will not fall out while that section is being installed. Nail each section in, and fix the rails to the posts with 90mm galvanized jolthead nails. Do this to all 3 sections.

Eazy with a z. Have fun

Materials, quantities and cost

NOTE 2: Prices include GST. These prices are indicative only.

MATERIAL	AMOUNT	COST
145x46 (ex 150x50) mg h3	15 metres @ \$5.00 per m	\$75.00
90x32 (ex 100x40) std pine decking	50 metres @ \$2.50 per m	\$125.00
65x46 (ex 75x50) mg f2	80 metres @ \$2.00 per m	\$160.00
90x46 (ex 100x50) mg f2	2.4 metres @ \$3.00 per m	\$7.20
90x46 (ex 100x50) mg h3	6 metres @ \$4.00 per m	\$24.00
65x46 (ex 75x50) mg h3	4 metres @ \$3.00 per m	\$12.00
2400x1200x7mm tanalised cd plywood	6 sheets @ \$43.00ea	\$258.00
150x25 rs h3 paling	20m @ \$1.30 per m	\$19.50
galvanized horizontal weather strip flashing	2.4m length @ \$6.00 ea	\$6.00
3mm perspex	1.2 sq m @ \$71.00 per sq m	\$85.20

assorted nails, mastic sealant, hinges, door handle, misc

\$60.00

TOTAL COST INCLUDING CST \$838.40